

Experiment No. 3

Hazards and Glitches

ECE 446

Peter CHINETTI

September 16, 2014

Date Performed: September 9, 2014
Instructor: Professor Shanechi

1 Introduction

A glitch is an unwanted transient pulse at the output of a combinational circuit, and a circuit with the potential for a glitch is said to have a hazard. Not all designs will produce glitches, however, if the timing of a circuit is of critical importance, the potential for glitches must be considered and their presence may be corrected.

2 Procedure

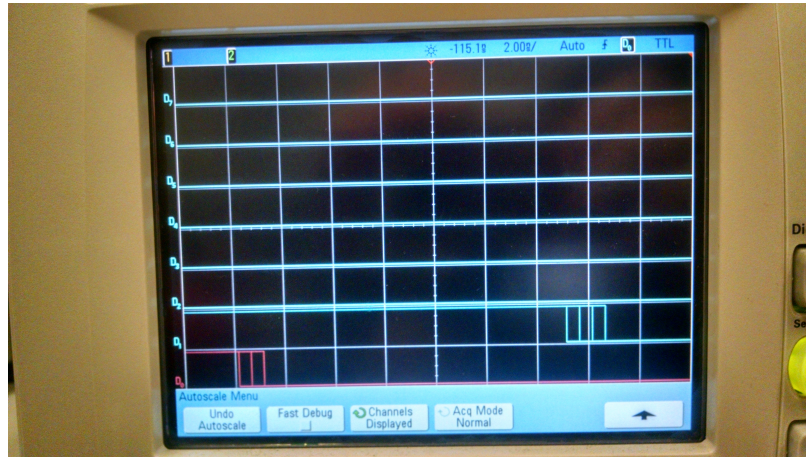
- a. Generate minimized equations.
- b. Wire minimized circuit.
- c. Measure gate delay.
- d. Observe glitch.
- e. Add term to repair glitch.
- f. Observe working circuit.

3 Equipment

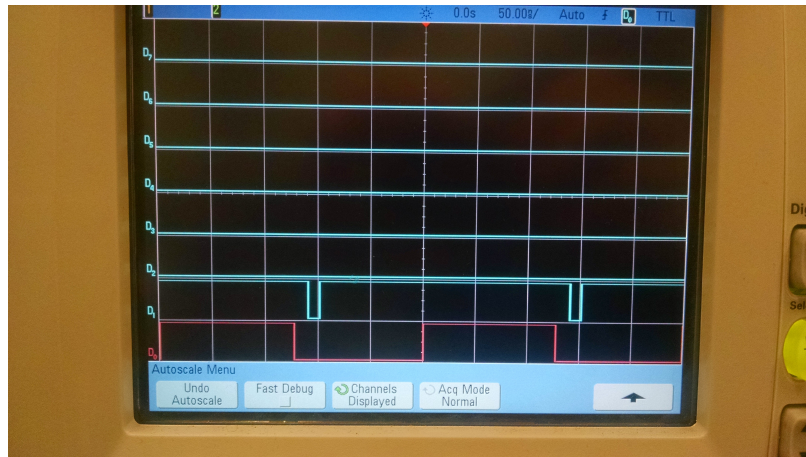
- Logic analyzer
- Breadboard
- Assorted gates

4 Results

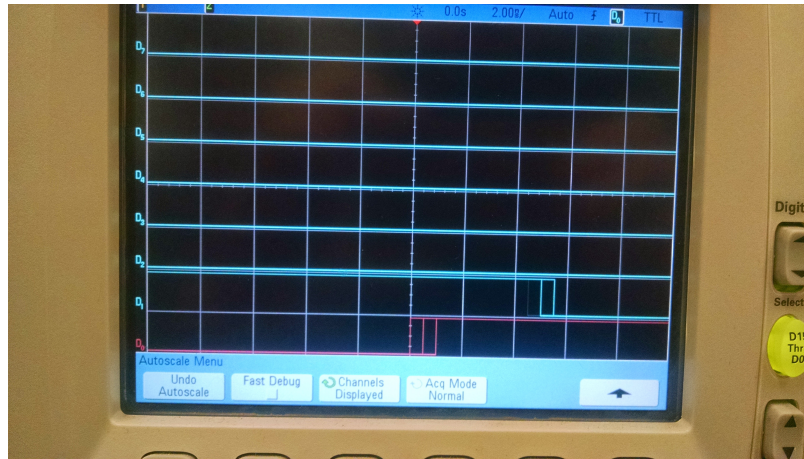
4.1 Delay



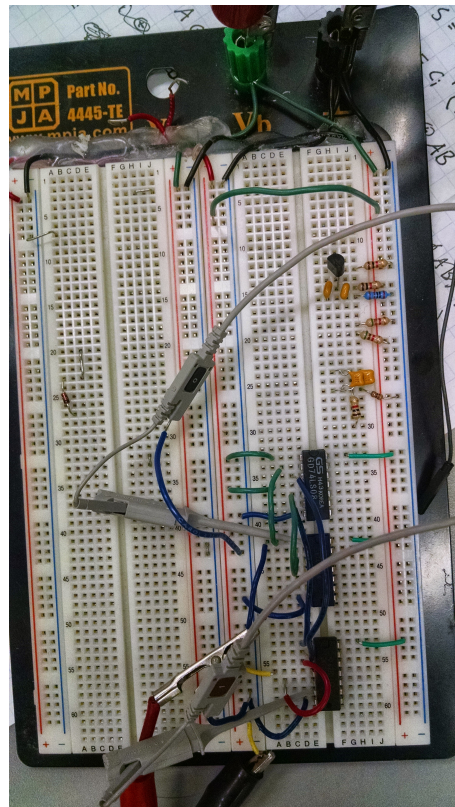
4.2 Glitch



4.3 Corrected



4.4 Breadboard



5 Conclusions

The purpose of this lab was achieved. A logic glitch was observed and corrected. In the future, logic will be designed to accommodate glitches.